



# COOK&HOLD CHC082E

Static low temperature  
 oven

## CONSTRUCTION FEATURES

- Tightness chamber with radiused corners
- Total thermic insulation with rock or glass wool
- Long lasting frontal seals made up of food grade of high heat resistance
- Static heating provided by low consumption wire heating element that coils up all the chamber
- Snap-shut door
- Mounted on four 125mm diameter castors, two of which with brake
- All-around rubber bumpers
- Tightness cavity with radiused corners, built-in drip tray and drainage system

## FUNCTIONAL FEATURES

- Electronic control panel of temperature, time, core probe and  $\Delta t$  with LCD touch-screen
- Operating temperature 30°C - 160°C
- End-of-cycle buzzer
- Chamber with safety thermostat
- Internal drain for easy cleaning
- Condensation drain tray
- Delayed start timer

## STANDARD SUPPLY

- Multipoint core probe with the possibility to register 30 different temperatures and save them in the HACCP report (available only with USB port device)
- Glazed door plus lighting
- Removable GN 2/1 and GN 1/1 tray racks
- USB port saving device HACCP

## OPTIONS & ACCESSORIES

- |   |  |
|---|--|
| <input type="checkbox"/> EcoWash self-cleaning system | <input type="checkbox"/> Trays                   |
| <input type="checkbox"/> Opposite side opening        | <input type="checkbox"/> Water filter system     |
| <input type="checkbox"/> Grids                        | <input type="checkbox"/> Detergent/Rinsing agent |


**MODULINESRL**


Via dell'Industria 11, Z.I. San Giacomo di Veglia 31029 Vittorio Veneto (TV) - ITALY  
 tel. +39 0438 5063 - fax +39 0438 912 323 - info@moduline.it - www.moduline.it



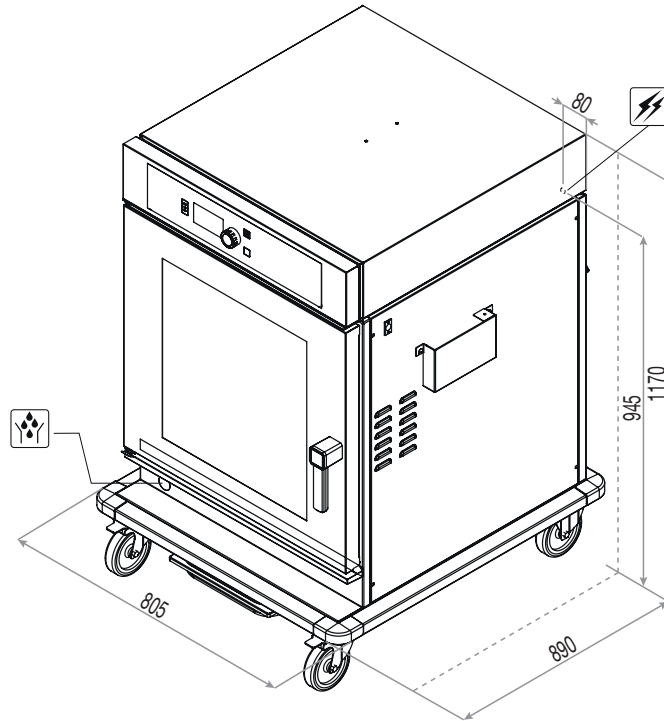
# moduline

## TECHNICAL INSTALLATION DIAGRAM

Electricity supply  
cable inlet 

Chamber drain 

**Important** - Drawing and dimensions refer to the standard version. They may change with the addition of accessories or options.



**Overall dimensions**  
(W x D x H) - mm 805 x 890 x 1170h

**Power supply** AC 220-240V 50/60Hz

**Total input**  
[Kw] 2,8 (230V)  
2,95 (230V) With Ecowash self-cleaning system

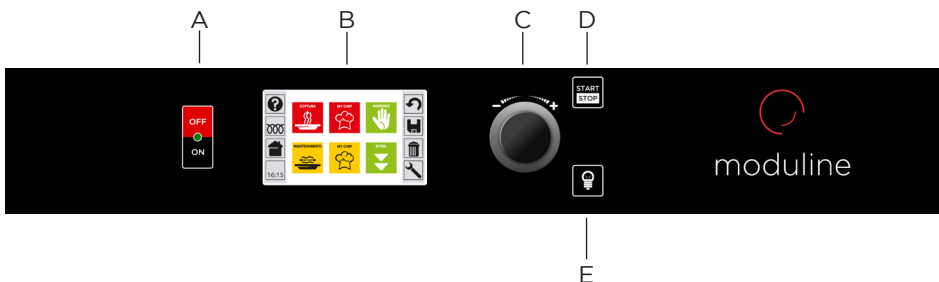
**Amps.**  
[A] 12,2 (230V)  
12,9 (230V) With Ecowash self-cleaning system

**Working temperature** [°C] 30 ÷ 160

**Containers capacity**  
- distance [mm] 8 GN 2/1 - (75)  
16 GN 1/1 - (75)

**Product max capacity** [Kg] 55

**Net weight** [Kg] 100



- A ON/OFF switch
- B Display Touch Screen
- C Setting knob and select "ENTER"
- D "START/STOP" button
- E Chamber light button

**MODULINESRL**

Via dell'Industria 11, Z.I. San Giacomo di Veglia 31029 Vittorio Veneto (TV) - ITALY  
tel. +39 0438 5063 - fax +39 0438 912 323 - info@moduline.it - www.moduline.it