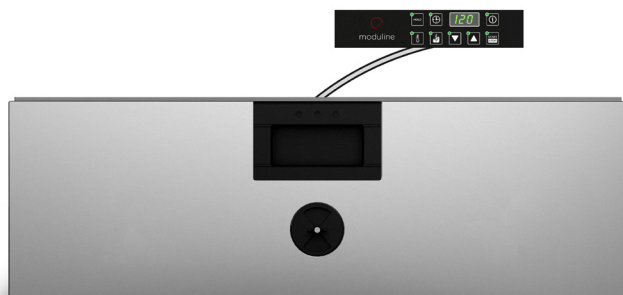


item # .....  
 model # .....  
 project # .....  
 sis # .....  
 aia # .....



## COOK&HOLD CSD011ER

Static low temperature  
with drawer, built-in and  
remote controls

### CONSTRUCTION FEATURES

- Tightness chamber with radiused corners
- Total thermic insulation with rock or glass wool
- Long lasting drawers seals made up of food grade of high heat resistance
- Static heating provided by low consumption wire heating element that coils up all the chamber
- Ergonomic and fully built-in drawers handle with magnetic closure
- Built-in version with remote controls

### FUNCTIONAL FEATURES

- Electronic control of the time, temperature and core probe
- Operating temperature 30° ÷ 120°C
- Humidity vents
- Chamber with safety thermostat
- Manual keyboard lock

### STANDARD SUPPLY

- Removable GN1/1 tray racks
- Internal core probe

### OPTIONS & ACCESSORIES

- Grids
- Trays
- Black colour
- Built-in frame


**MODULINESRL**


Via dell'Industria 11, Z.I. San Giacomo di Veglia 31029 Vittorio Veneto (TV) - ITALY  
 tel. +39 0438 5063 - fax +39 0438 912 323 - info@moduline.it - www.moduline.it



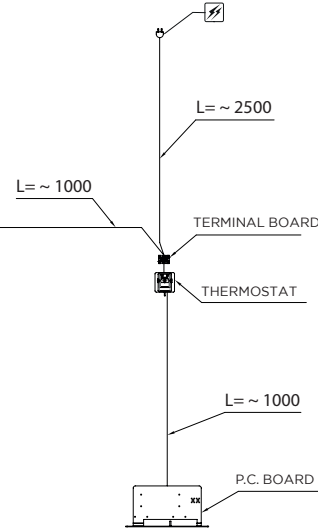
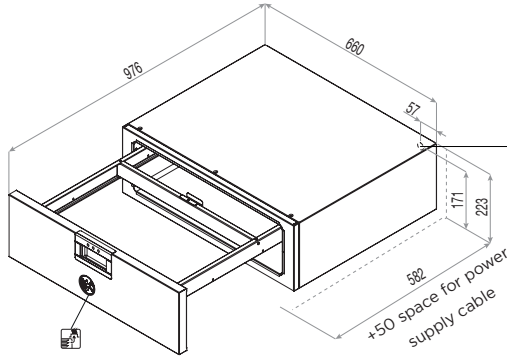
# moduline

## TECHNICAL INSTALLATION DIAGRAM

Electricity supply  
cable inlet 

Humidity  
exhaustion vent 

**Important** - Drawing and dimensions refer to the standard version. They may change with the addition of accessories or options.



**Overall dimensions**  
(W x D x H) - mm

660 x 582 x 223h

**Power supply**

AC 220-240V 50/60Hz

**Total input**  
[kW]

0,7 (230V)

**Amps.**  
[A]

3,1 (230V)

**Working temperature** [°C]

30 ÷ 120

**Trays capacity**

1 GN 1/1

**Containers max height** [mm]

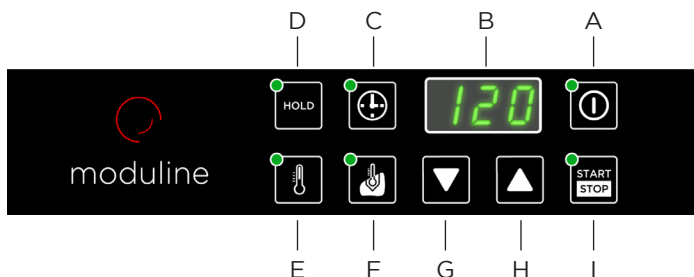
150

**Product max capacity** [Kg]

6

**Net weight** [Kg]

31



- A ON/OFF switch
- B Display
- C Time selection key
- D Keeping warm key
- E Temperature selection key
- F Core probe on/off key
- G Temperature decrease key
- H Temperature increase key
- I START/STOP key

**MODULINESRL**

Via dell'Industria 11, Z.I. San Giacomo di Veglia 31029 Vittorio Veneto (TV) - ITALY  
tel. +39 0438 5063 - fax +39 0438 912 323 - info@moduline.it - www.moduline.it