



**HOLD**  
**HHT161EP**  
 Warm holding cabinet

**CONSTRUCTION  
 FEATURES**

- Tightness chamber with radiuses corners
- All-around rubber bumpers
- Total thermic insulation with rock or glass wood
- Long lasting front seal, made up of food-grade and high-heat resistant silicone
- Removable side racks to facilitate cleaning
- Static heating provided by low consumption wire heating element that coils up all the chamber
- Ergonomic and fully built-in door handle with magnetic closure
- Mounted on four 150 mm diameter castors, two of which with brake
- Ergonomic handle for pushing and guiding
- Easy access to facilitate maintenance and repair
- Pass-through cavity, front and rear door
- Opposite side opening

**FUNCTIONAL  
 FEATURES**

- Electronic control of the temperature
- Operating temperature 30° ÷ 120°C
- Adjustable humidity vents on the door
- Chamber with safety thermostat
- Manual keyboard lock

**STANDARD  
 SUPPLY**

- Removable GN 1/1 tray racks

**OPTIONS  
 & ACCESSORIES**

- Kit feet
- Grids
- Trays


**MODULINESRL**


Via dell'Industria 11, Z.I. San Giacomo di Veglia 31029 Vittorio Veneto (TV) - ITALY  
 tel. +39 0438 5063 - fax +39 0438 912 323 - info@moduline.it - www.moduline.it



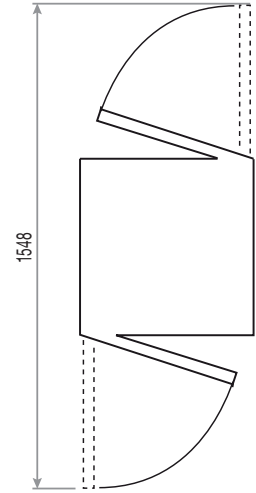
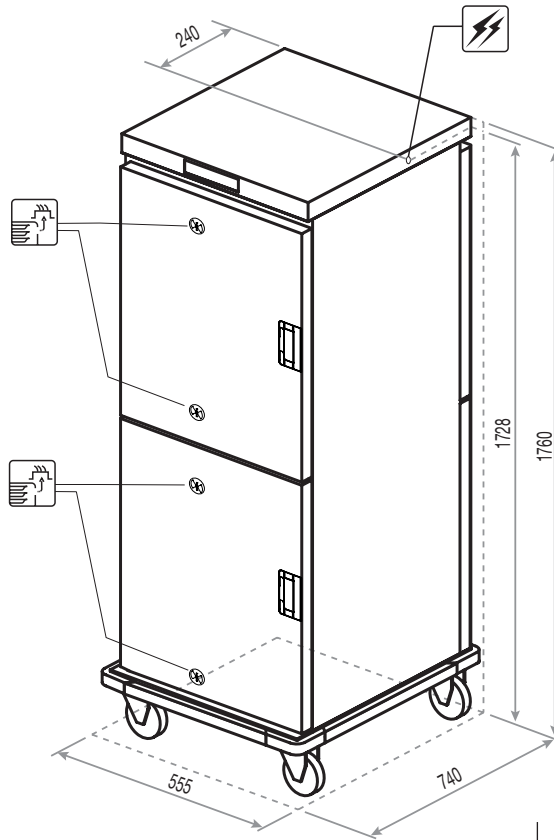
# moduline

## TECHNICAL INSTALLATION DIAGRAM

Electricity supply  
cable inlet 

Vent for excess  
humidity 

**Important** - Drawing and  
dimensions refer to the  
standard version.  
They may change with the  
addition of accessories  
or options.



Overall dimensions  
(W x D x H) - mm

555 x 740 x 1760 h

Amps.  
[A]

8,7 (230V)

Trays capacity -  
distance [mm]

16 x GN 1/1 - (75)

Working  
temperature [°C]

30 ÷ 120

Tray max. height  
[mm]

16 x 65 (h)  
6 x 150 (h)  
4 x 200 (h) + 4 x 65 (h)

Product max  
capacity [Kg]

58

Power supply

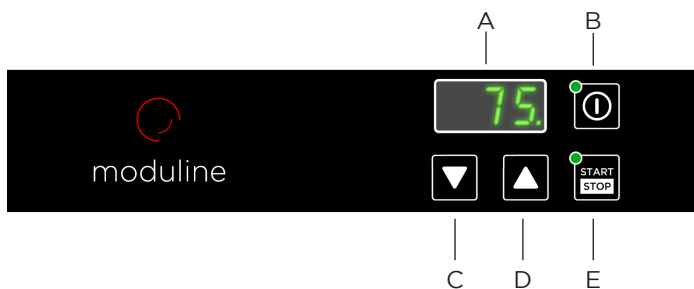
AC 220-240V 50/60Hz

Net weight  
[Kg]

88

Total input  
[kW]

2 (230V)



- A Display
- B ON/OFF switch
- C Temperature decrease key
- D Temperature increase key
- E START/STOP key

**MODULINESRL**

Via dell'Industria 11, Z.I. San Giacomo di Veglia 31029 Vittorio Veneto (TV) - ITALY  
tel. +39 0438 5063 - fax +39 0438 912 323 - info@moduline.it - www.moduline.it