



moduline

item #
 model #
 project #
 sis #
 aia #



CVE031E

Pressure steamer

CONSTRUCTION FEATURES

- Oven interior and boiler in AISI 316 stainless steel
- Total thermal insulation with ceramic fiber
- Long lasting seal made up of food grade of high heat resistance
- Removable side racks to facilitate cleaning
- Internal drain for easy cleaning
- Adjustable feet
- Easy access to facilitate maintenance and repair
- Condensation drain drawer under the door

FUNCTIONAL FEATURES

- Electronic control panel with LCD 4,3" touch screen
- End-of-cycle buzzer
- Delayed start timer
- Pressure control with electronic pressure switches
- Preheating and maintaining pressure function into the boiler
- Automatic and programmable boiler cleaning system
- Electronic boiler power control
- Automatic door opening and closing system
- Automatic cavity vacuum reducing system
- Operating temperature 50°C-122°C - (1,2 bar max)

STANDARD SUPPLY

- Removable GN1/1 tray racks
- Internal core probe
- Decaling system

OPTIONS & ACCESSORIES

- USB port saving device HACCP
- Supports





MODULINESRL

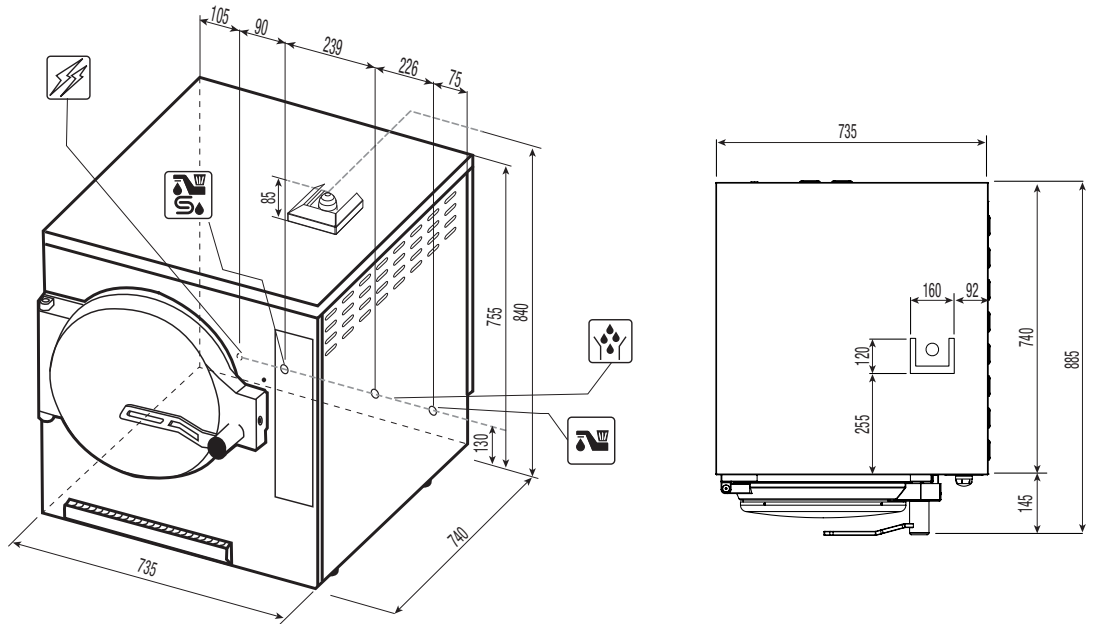
Via dell'Industria 11, Z.I. San Giacomo di Veglia 31029 Vittorio Veneto (TV) - ITALY
 tel. +39 0438 5063 - fax +39 0438 912 323 - info@moduline.it - www.moduline.it



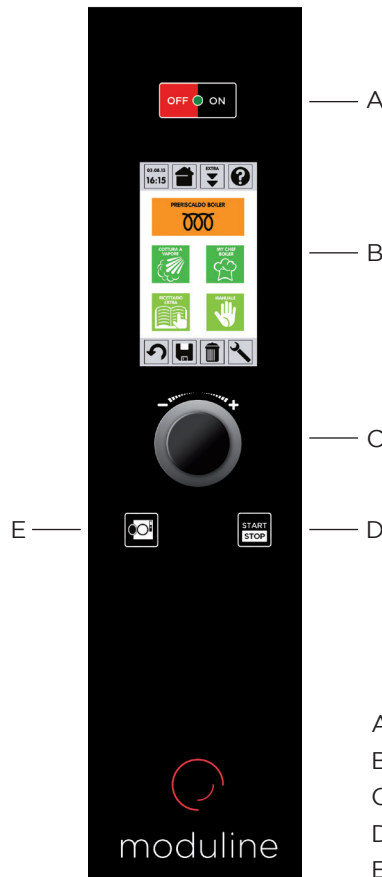
moduline

**TECHNICAL
INSTALLATION
DIAGRAM**

- Electricity supply cable inlet 
- Chamber drain 
- Softened water inlet 
- Water inlet 



Overall dimensions (W x D x H) - mm	735 x 885 x 840
Trays capacity	3 x GN 1/1 (80h)
Power kW	15,5
Power supply	3N AC 400V
Rated voltage [Vac]	3N AC 400V
Total input [kW]	15,5
Amps. [A]	22,4
Connecting wire min. section (type H07 RN-F) [mm²]	5 x 2,5



- A ON/OFF switch
- B Display
- C Setting knob and select "Enter"
- D START/STOP key
- E Door opening button

MODULINESRL

Via dell'Industria 11, Z.I. San Giacomo di Veglia 31029 Vittorio Veneto (TV) - ITALY
tel. +39 0438 5063 - fax +39 0438 912 323 - info@moduline.it - www.moduline.it