



GRE060C/D/E

Compact regenerating oven (+3°C → +65°C)

CONSTRUCTION FEATURES

- Tightness chamber with radiused corners
- Total thermic insulation with rock or glass wool
- Long lasting front seals made up of food grade of high heat resistance
- Removable side racks to facilitate cleaning
- Internal drain for easy cleaning
- Ventilated heating provided by high efficiency protected heating elements
- Snap-shut door
- Adjustable feet
- Easy access to facilitate maintenance and repair
- Double low-emission glass door with internal ventilation
- Condensation drip tray under the door and connected to the oven drainage system.

FUNCTIONAL FEATURES

- Control panel of temperature, time and humidity. Electromechanical (C), electronic with digital display (D) or electronic with LCD touch-screen (E)
- Simplified, user-friendly controls
- Periodic reversal of direction of rotation of the fan for better air distribution
- Automatic stopping of fans when the door is opened
- End-of-cycle buzzer
- Chamber with safety thermostat
- Operating temperature 30°C ÷ 160°C
- The regeneration program can be divided into different phases (only for D and E versions)
- Automatic humidity exhaust system after regeneration (only for D and E versions)
- Self-diagnosis system (only for D and E versions)
- MultiLevel function: Combi is able to manage different dishes with different cooking times or temperatures (only for E version)
- IdealWarm function: the intelligent temperature decrease in the cavity at the end of the cooking cycle allows perfect warm holding (only for D and E versions)
- Climachef system (only for D and E versions)
- PadLock: key lock system with password (only for D and E versions)
- ProTime system allows you to set the date and the time you want the oven to preheat or start working (only for D and E versions)
- Glazed door plus lighting
- Removable GN2/3 tray racks

OPTIONS & ACCESSORIES

- | | | |
|---|---|---|
| <input type="checkbox"/> Supports | <input type="checkbox"/> Needle core probe
sous-vide valve | <input type="checkbox"/> Wall brackets kit |
| <input type="checkbox"/> Built-in hand shower
and probe drawer | <input type="checkbox"/> External hand shower | <input type="checkbox"/> Stacking kit |
| <input type="checkbox"/> EcoWash self-cleaning
system | <input type="checkbox"/> Integral quenching system | <input type="checkbox"/> Integrated water storage
tank |
| <input type="checkbox"/> Core probe | <input type="checkbox"/> Door lock | <input type="checkbox"/> Usb port |
| <input type="checkbox"/> Multipoint core probe | <input type="checkbox"/> Openable inside glass of
the door | <input type="checkbox"/> SpeedGrade fan speed
adjustment |
| <input type="checkbox"/> Needle core probe | <input type="checkbox"/> Built-in sliding kit | <input type="checkbox"/> FitPower: system for the
energy calibration |







MODULINESRL

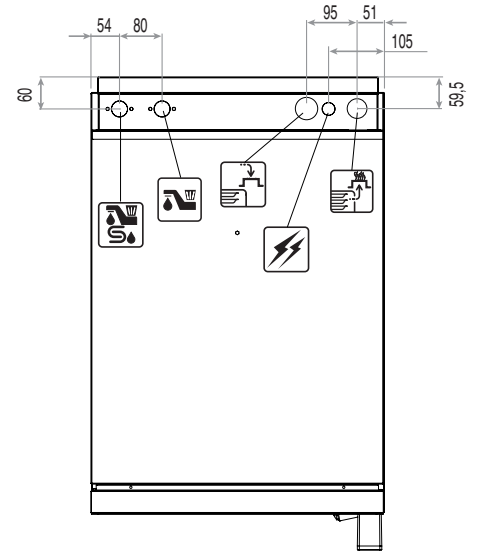
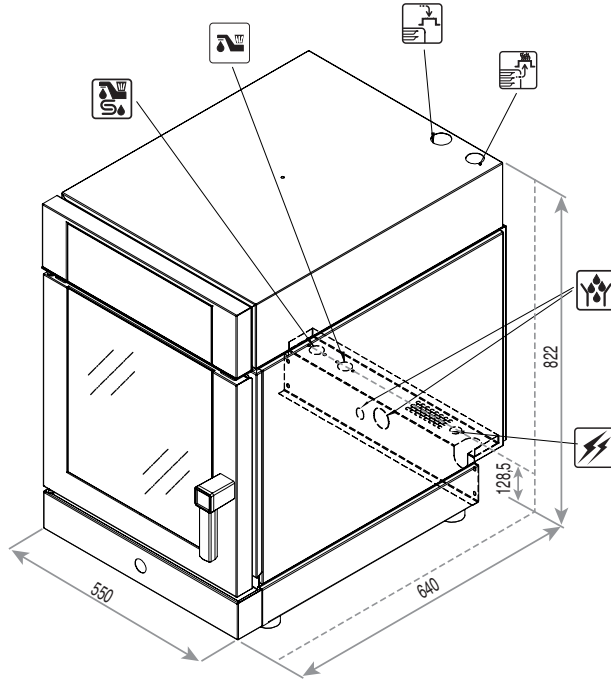
Via dell'Industria 11, Z.I. San Giacomo di Veglia 31029 Vittorio Veneto (TV) - ITALY
 tel. +39 0438 5063 - fax +39 0438 912 323 - info@moduline.it - www.moduline.it



moduline

TECHNICAL INSTALLATION DIAGRAM

- Electricity supply cable inlet 
- Safety vent humidity 
- Chamber drain and condensation drain tray 
- Softened water inlet 
- Water inlet 
- Adjustable vent for excess humidity 



Overall dimensions
(W x D x H) - mm

550 x 640 x 822

Rated voltage
[Vac]

230

Trays capacity

6 x GN 2/3

Total input
[kW]

3,35

Power
[kW]

3,35

Amps.
[A]

14,6

Power supply

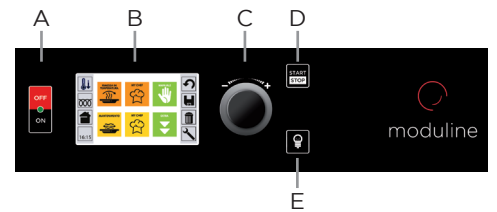
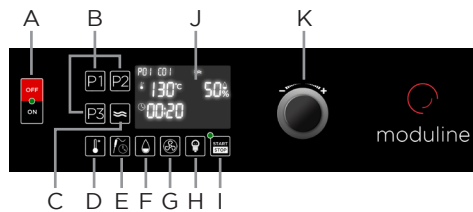
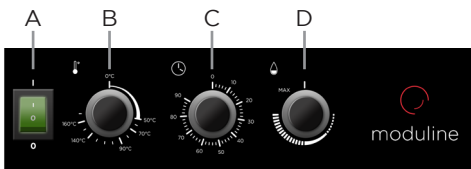
230 Vac 50 Hz

Connecting wire
min. section (type
H07 RN-F) [mm²]

3 x 1,5

Water pressure
[kPa]

150÷500



C Version

- A ON/OFF switch
- B Cavity temperature knob
- C Time setting knob
- D Cavity humidity control knob

D Version

- A ON/OFF switch
- B Pre-set program keys
- C Holding function key
- D Cavity temperature control key
- E Time / core probe control key
- F Cavity humidity control key
- G Fan speed control key (optional)
- H Cavity light key
- I Start/stop key
- J Display
- K Encoder knob

E Version

- A ON/OFF switch
- B Display Touch Screen
- C Setting knob and select "ENTER"
- D "START/STOP" button
- E Chamber light button

MODULINESRL

Via dell'Industria 11, Z.I. San Giacomo di Veglia 31029 Vittorio Veneto (TV) - ITALY
tel. +39 0438 5063 - fax +39 0438 912 323 - info@moduline.it - www.moduline.it