

**SEH004E**  
 Ultra-rapid electric  
 Salamander  
 with mobile plate




**Construction**

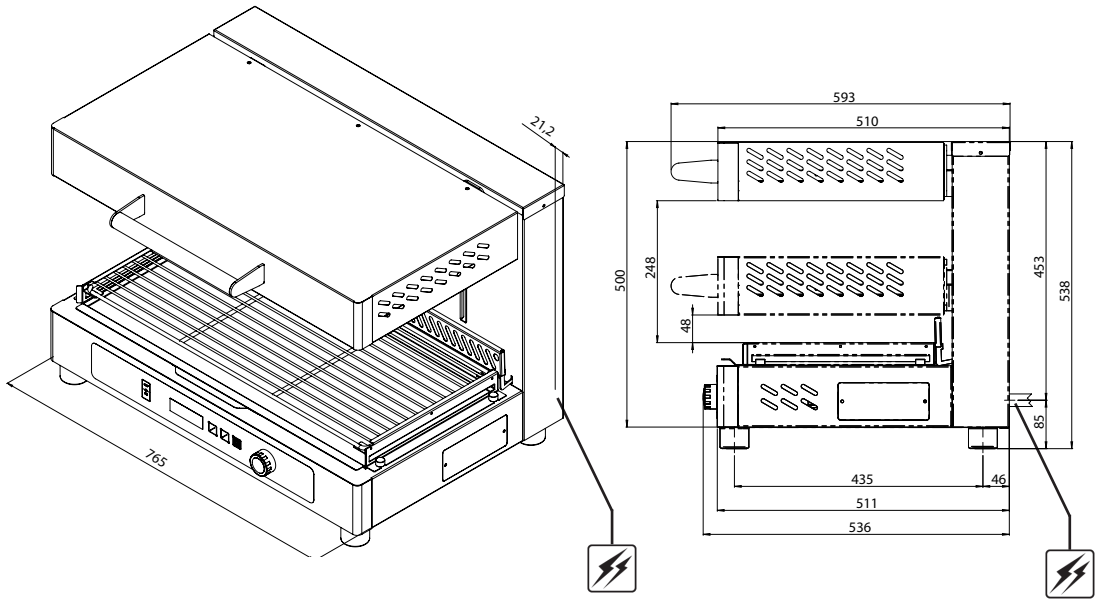
- Stainless steel construction
- Adjustable upper plate to get the heating surface closer to the food
- Ultra rapid and high-performance heating elements
- Safety thermostat to avoid overheating
- Steel grill and drip tray to collect cooking juices, simple to remove to facilitate cleaning

**Standard features**

- Electronic controls with digital display protected by a polycarbonate panel
- Possibility of selecting the cooking zone, activating 2 or 4 heating elements
- Encoder to adjust cooking time up to 20'
- Warm holding function after the cooking cycle has finished, to be set during programming or separately
- Plate detection system for automatic switching on or off
- (Four) heating elements housed in a special ceramic dish

**TECHNICAL SPEC**

Supply cable 



Overall dimensions (W x D x H) - mm

765 x 593 x 538

Cooking surface: 1 GN 1/1 + 1 GN 1/3

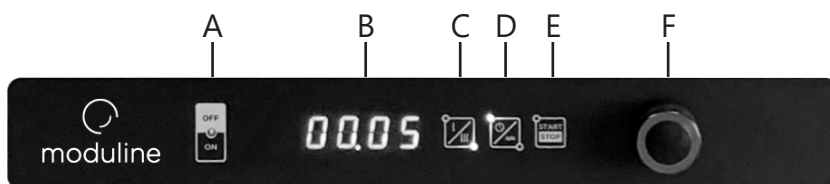
Upper heating surface: 655x260mm - ( 4 heating elements )

Weight 65 Kg

Power supply 3N AC 400V - 3 AC 230V

Total input [kW] 6,1

Amps. [A] 8,9 - [3N AC 400V]  
15,4 - [3 AC 230V]



- A ON/OFF switch
- B Display
- C Selection of upper heating elements
- D Cooking / Holding
- E "START/STOP" key
- F Knob

**MODULINE S.R.L.**

Via dell'industria 11, Z.I. San Giacomo di Veglia 31029 Vittorio Veneto (TV) - ITALY  
tel. +39 0438 5063 - fax +39 0438 912323 - info@moduline.it - www.moduline.it