

## HOLD - WARM HHA201EV Ventilated Hot Holding Trolley

### CONSTRUCTION

- Stainless steel chamber
- Rubber perimeter anti-shock bumpers
- Thermal insulation of the chamber with 40 mm thickness
- Removable tray runners for easy cleaning operations
- Ventilated heating of the cavity by armored electric resistance
- Special air distribution system Throughout the whole cavity with heat conveyor
- Manually fillable stainless-steel tray with water, useful for the moisture formation during the holding cycle
- Ergonomic and fully recessed door handle
- 270° door opening with magnetic lock
- Silicone rubber door gasket resistant to heat and aging
- Four swivel wheels with a diameter of 150mm, 2 of which with brake
- Ergonomic handles of 70 cm placed on the right side for pushing and comfortable driving in the premises
- Plexiglass aesthetic details for a modern design (sides and back)
- Schuko plug with 2 meters power cord and side cable winder
- Extractible dashboard to facilitate cleaning of the cavity and maintenance (heating unit included)
- Wiring and functional components placed to facilitate any maintenance

### FUNCTIONAL FEATURES

- Electronic control with "touch screen" digital display for electronic temperature adjustment
- Digital temperature display of the cavity
- Automatic keyboard lock
- Operating temperature 30°C ÷ 90°C
- Adjustable moisture evacuation vents on the door
- Cavity safety thermostat
- Automatic stop of heating of the resistor while door opening

### STANDARD EQUIPMENT

- Removable tray runners 20 GN1/1

### ACCESSORIES/ OPTIONS ON REQUEST


- Grids
- Trays
- Removable tray runners 16 GN1/1
- Adjustable feet set


### MODULINE-



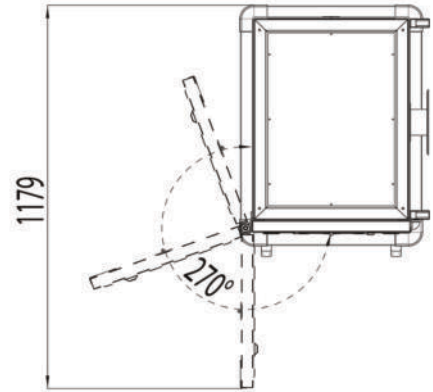
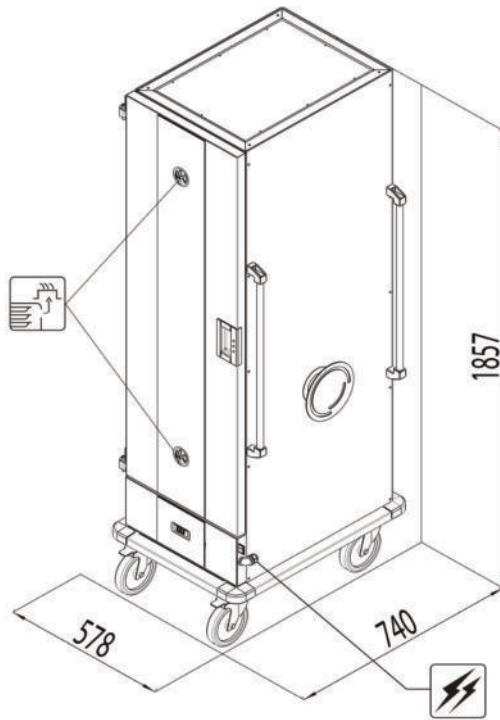
# moduline

## INSTALLATION TECHNICAL DIAGRAMS

Electricity supply  
cable inlet 

Vent for excess  
humidity 

**Important** - Drawing and  
dimensions refer to the  
standard version.  
They may change with the  
addition of accessories  
or options.



Dimensions  
(W x D x H) - mm

578 x 740 x 1857 h

Cavity dimensions  
(W x D x H) - mm

385 x 540 x 1370 h

Tray capacity -  
Tray pitch [mm]

20 x GN 1/1 - (60)

Trays Maximum  
height [mm]

20 x 40 (h)  
10 x 100 (h)  
6 x 150 (h)

Power supply

AC 220-240V 50/60Hz

Total power  
absorbed [kW]

2,3 (230V)

Absorption  
[A]

10 (230V)

Operating  
Temperature [°C]

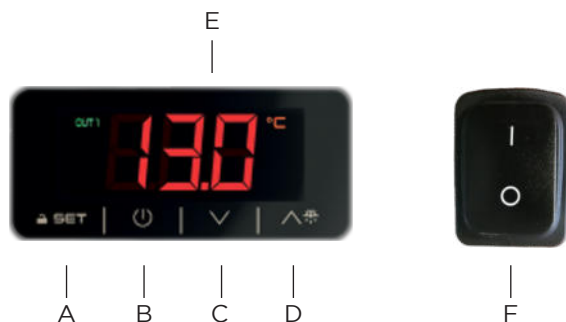
30 ÷ 90

Product Maximum  
capacity [Kg]

48

Net weight  
[Kg]

140



- A SET key / keyboard unlock
- B Non-operational key (Disabled)
- C Temperature decrease key
- D Temperature increase key
- E Display
- F Main switch

### MODULINE-

Via dell'Industria 11, Z.I. San Giacomo di Veglia 31029 Vittorio Veneto (TV) - ITALY  
tel. +39 0438 5063 - fax +39 0438 912 323 - info@moduline.it - www.moduline.it